

Punch Variable

The Punch Variable has an adjustable color temperature range of 3,000°K to 6,000°K and develops an output of 4,688 fc @ 10 feet. Most remarkable is the Punch Variable draws only 4.78 amps of power at full output. Like all AAdynTech fixtures, the Variable generates no heat or harmful UV or IR emissions, is self-contained with an auto-ranging universal power supply requiring no ballast, head cables or lamps, and instant ON ensures no warm-up wait time on set.

When any of our lenses are used, optical efficiency provides a single light source eliminating multiple shadows. The Variable comes equipped with four quick change lenses to vary the beam angle for spot, medium or flood while maintaining a flat, even field of light. There are several control possibilities with the Variable; built in User Interface Module (UIM) with Kelvin temperature display, DMX with DMX loopthru, or via the optional corded UIM Controller with Kelvin temperature display. A heavy-duty yoke is provided. When your production requires precise color temperature control and powerful, reliable even lighting; the Punch variable by AAdynTech has no peer.



FEATURES AT A GLANCE:

- Brighter than a 2,500 watt HMI
- 4,688 foot candle output @ 10 feet
- 5600K CCT
- Draws only 4.8 amps at full output
- Auto range voltage - 100/277 VAC - 50/60Hz
- Up to 90% energy savings
- Precise brightness control w/ variable dimming curve
- Single light source eliminates multiple shadows
- Flicker-free up to 12,000 fps
- No heat generation - operates cool to the touch
- Douse button (momentary off)
- Included 5°, 15°, 30°, 55° lenses to vary beam angle
- No head cables, ballast or spare lamps
- Built-in digital User Interface Module (UIM) control
- Recalibration countdown hour 'smart' meter
- Full DMX control w/ DMX loop-thru
- 5-pin XLR DMX In/Out & PowerCon AC Cable
- Programmable multiple lightning and strobe effects
- Multiple user memory storage with recall
- 2 year warranty on fixture
- Operating temperature at -20c to +50c
- Certified UL, ETL, CSA, CE & RoHS compliant
- Wireless DMX/RDM control

THE PUNCH SERIES IS AVAILABLE IN DAYLIGHT. SPECIAL ORDER MODELS INCLUDE: BULLET & MEGA BULLET HIGH SPEED VERSIONS.

Punch Variable

NO DIFFUSER	@5 FEET	@10 FEET	@15 FEET
Lux	160,132	50,470	23,070
Foot Candles	14,867	4,688	2,143
5° DIFFUSER	@5 FEET	@10 FEET	@15 FEET
Lux	119,250	35,600	21,000
Foot Candles	11,078	3,307	1,521
15° DIFFUSER	@5 FEET	@10 FEET	@15 FEET
Lux	82,310	22,150	10,010
Foot Candles	7,647	2,057	930
30° DIFFUSER	@5 FEET	@10 FEET	@15 FEET
Lux	37,860	9,405	4,250
Foot Candles	3,517	874	395
55° DIFFUSER	@5 FEET	@10 FEET	@15 FEET
Lux	12,710	3,102	1,418
Foot Candles	1,180	288	131

DIFFUSER	BEAM ANGLE	FIELD ANGLE
0°	13.3°	18.9°
5°	16.2°	26.3°
15°	18.3°	33.4°
30°	28.1°	50.1°
55°	45.3°	76.7°

At 90° angle to incident surface

SPECIFICATIONS

Control	UIM, Wired & Wireless DMX/RDM
Source	LED, 3,000K to 6,000K
Cooling	Passive/Active
Mounting	Junior Pin/28mm Spigot
Certifications	ETL, UL, CSA, CE and RoHS Compliant

DIMENSIONS

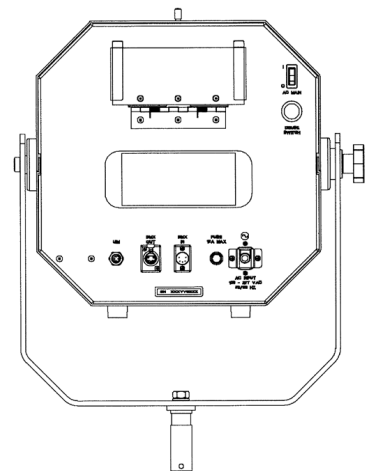
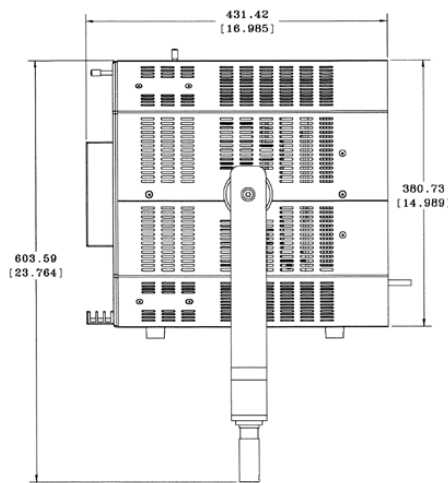
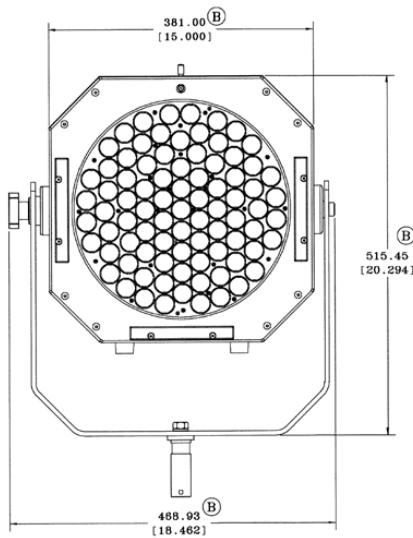
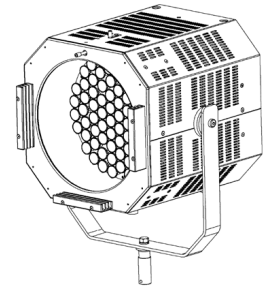
Length	431.4 mm	17.0 in.
Width	468.9 mm	18.5 in.
Height	515.5 mm	20.3 in.
Weight	22 kg	48.4 lbs

POWER

Input Voltage	100-277 Vac
Input Freq	50/60 Hz
Input Current	4.87 Amp @ 120V 584.4 W @ full
Connection	PowerCon Twist Lock connector

HIGHLIGHTS

- RoHS Compliant
- Up to 4,688 foot candles @ 10 feet
- Variable color temperature at 3,000K to 6,000K
- Dimmable with no color shift
- Draws 4.8 amps at max output



©2023 Sturdy Corporation. All rights reserved. As technical advancements continue, all specifications are subject to change without notice.