

NOW **30%** BRIGHTER!

## Punch Daylight



The AAdynTech Punch Daylight is the most powerful daylight-balanced white light professional LED fixture available today. The fixture delivers an incredible output of 9,680 fc @ 10 feet, more powerful than a 6,000 watt HMI, while consuming less than 5 amps of power. The Punch Daylight is self-contained with a universal power supply and, unlike traditional HMI's, the need for heavy and expensive head cables, ballasts or spare lamps is eliminated, dramatically reducing transport weight. Crew and talent safety is always a concern and the Punch Daylight generates minimal heat and can be held with bare hands, and harmful UV or IR emissions are virtually eliminated. Instant 'ON' ensures no warm-up wait time on set. This model may be operated in either wired or wireless configuration further expanding its versatility.

Specially designed four holographic lenses provide optical efficiency by creating a single light source, effectively eliminating multiple shadows. These four quick change lenses are included to adjust the beam angle for a very narrow, narrow, medium or flood while maintaining a flat, even field. The UIM Digital Remote provides precise control over dimming with user selectable variable dimming curves, a smart lamp hour counter, multiple memory recordings and a host of other features including strobe and lightning effects. A heavy-duty yoke is provided.



### FEATURES AT A GLANCE:

- Brighter than a 6,000 watt HMI
- 9,680 foot candle output @ 10 feet
- 5600K CCT
- Draws only 4.8 amps at full output
- Auto range voltage - 100/277 VAC - 50/60Hz
- Up to 90% energy savings
- Precise brightness control w/ variable dimming curve
- Single light source eliminates multiple shadows
- No heat generation - operates cool to the touch
- Douse button (momentary off)
- Included: hard gel filters, ¼ CTO & ¼ MG
- Included 5°, 15°, 30°, 55° lenses to vary beam angle
- No head cables, ballast or spare lamps
- Built-in digital User Interface Module (UIM) control
- Recalibration countdown hour 'smart' meter
- Wired and wireless capable
- PowerCon AC Cable
- Programmable multiple lightning and strobe effects
- Multiple user memory storage with recall
- 2 year warranty on fixture
- Operating temperature at -20c to +50c
- Certified ETL, CSA, CE & RoHS compliant



# Punch Daylight

## NO DIFFUSER

	@10 FEET	@15 FEET	@20 FEET
Lux	104,195	52,600	31,900
Foot Candles	9,680	4,880	2,963

## 15° DIFFUSER

	@10 FEET	@15 FEET	@20 FEET
Lux	76,232	34,380	21,450
Foot Candles	7,081	3,194	1,992

## 30° DIFFUSER

	@10 FEET	@15 FEET	@20 FEET
Lux	19,950	8,595	5,220
Foot Candles	1,853	799	485

## 55° DIFFUSER

	@10 FEET	@15 FEET	@20 FEET
Lux	8,456	3,676	2,255
Foot Candles	785	342	210

DIFFUSER	BEAM ANGLE	FIELD ANGLE
0°	13.3°	18.9°
5°	16.2°	26.3°
15°	18.3°	33.4°
30°	28.1°	50.1°
55°	45.3°	76.7°

At 90° angle to incident surface

## SPECIFICATIONS

Control	UIM, Wired & Wireless Capable DMX/RDM
Source	LED, 5600K
Cooling	Passive/Active
Mounting	Junior Pin/28mm Spigot
Certifications	ETL, CSA, CE and RoHS Compliant

## DIMENSIONS

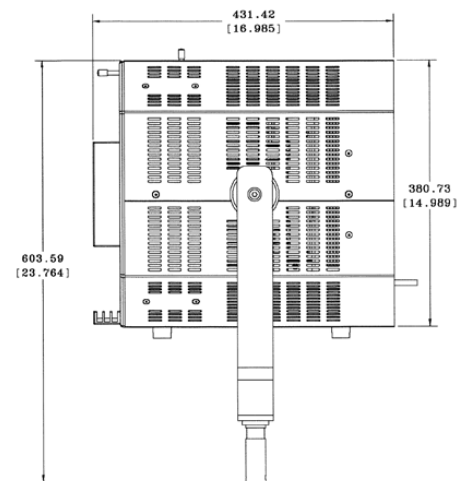
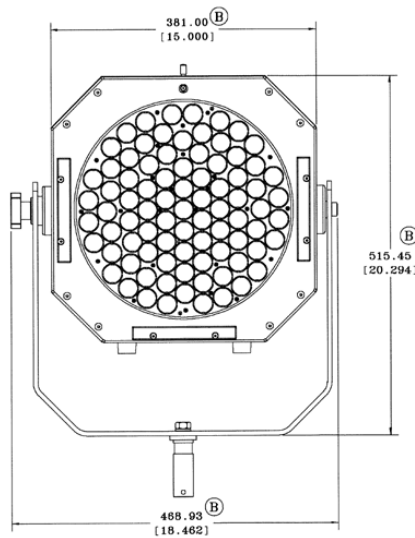
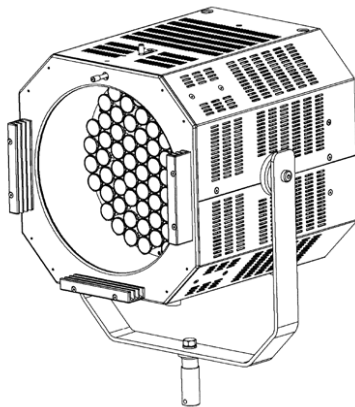
Length	431.4 mm	17.0 in.
Width	468.9 mm	18.5 in.
Height	515.5 mm	20.3 in.
Weight	22 kg	48.4 lbs

## POWER

Input Voltage	100-277 Vac
Input Freq	50/60 Hz
Input Current	4.87 Amp @ 120V 584.4 W @ full
Connection	PowerCon Twist Lock connector

## HIGHLIGHTS

- RoHS Compliant
- Up to 9,680 foot candles @ 10 feet
- Daylight-Balanced at 5600K CCT
- Dimmable with no color shift
- Draws 4.8 amps at max output
- No harmful UV or IR radiation



©2023 Sturdy Corporation. All rights reserved. As technical advancements continue, all specifications are subject to change without notice.