

NEW! | QUAD SERIES

JAB Quad Daylight

AAdynTech's JAB Quad is the most powerful LED soft light in it's class, consuming only 1,300 watts of power and outputting an amazing 120,000 lumens. The fixture, control box and connecting cable are rated IP65; weatherproof under any condition.

With a CRI of over 92, the JAB Quad creates a beautiful, even field of light in Daylight, Tungsten, or a Variable version that adjusts anywhere from 2800 Kelvin to 6000 Kelvin. Additionally, it has the capability of adding green or magenta to match any other white light fixture.

There are various ways to control the Quad; AAdynTech's User Interface Module, Wired DMX or Wireless DMX, making it very flexible for any kind of production.

Included with the fixture: Control Box, 14 Pin Control Cable, User Interface Module, Wireless Receiver, Standard Diffuser Lens, Twist Lock AC Cord, Yoke and Pin.

Accessories include: Travel Case, Lite Diffuser, Heavy Diffuser, Snap Grid, Chimera Pop Bank, Honeycomb Grid.

Like all AAdynTech products, the Quad is designed and manufactured in the United States by Sturdy Corporation, guaranteeing quality and dependable service.

92+ CRI

IP65 Rated



FEATURES AT A GLANCE:

- Minus/Plus Green/Magenta Correction
- 92+ CRI across entire brightness range
- Rated IP65
- 500 foot candle output @ 10 feet
- Color Range 5600k
- Auto range voltage - 100/277 VAC-50/60Hz
- Low Power Consumption
Less than 15a @ 120Vac
- Flicker-free up to 260,000 fps
- Compatible with existing User Interface Modules (UIM)
- Wireless or wired DMX with RDM
- Daisy chain DMX
- Certified ETL, CSA, CE and RoHS compliant
- Operating temperature -20°C to +50°C
- Programmable multiple lightning and strobe effects
- 2 year warranty
- MSRP \$6500



JAB Quad Daylight

	@10 FEET	@15 FEET	@20 FEET
NO DIFFUSER			
Lux	5,381	2,518	1,657
Foot Candles	500	234	154
30° DIFFUSER			
Lux	5,037	2,335	1,367
Foot Candles	468	217	127
55° DIFFUSER			
Lux	4,197	1,937	1,140
Foot Candles	390	180	106
80° DIFFUSER			
Lux	3,831	1,776	1,076
Foot Candles	356	165	100

SPECIFICATIONS

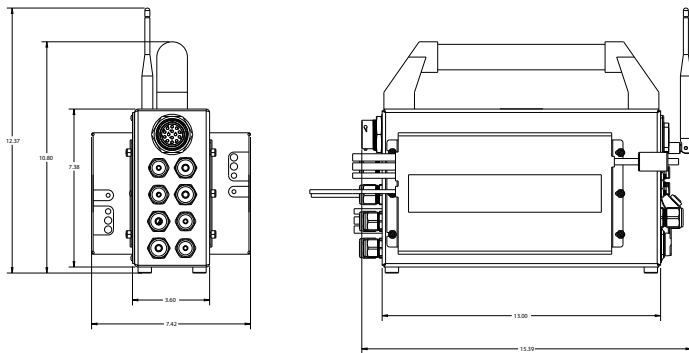
Control	Local, UIM, DMX
Source	LED, 5600K CCT, 92+ CRI
Cooling	Passive
Mounting	Baby Pin or Junior
Certifications	ETL, CSA, CE and RoHS Compliant

FIXTURE DIMENSIONS

Length	617.2 mm	24.3 in
Width	150.9 mm	5.94 in
Height	474.5 mm	18.68 in
Weight	24.95 kg	55 lbs

CONTROL BOX DIMENSIONS

Length	390.0 mm	15.39 in
Width	188.4 mm	7.42 in
Height	314.2 mm	12.37 in
Weight	11.33 kg	25 lbs



POWER

Input Voltage	100-277v AC
Input Freq	50/60 Hz
Input Current	1300 Watts @ full

HIGHLIGHTS

- RoHS Compliant
- 500 foot candles @ 10 feet
- IP65 Rated
- Dimmable with no color shift
- No harmful UV or IR radiation

